

novasens HighTemp 530 Infrared Thermometer

At a glance

- IR-Thermometer with input for thermocouple sensor NiCr-Ni (Type K)
- Measuring range up to 8m
- Large temperature measuring range
Infrared: +200°C to +2400°C
Thermocouple input: -64°C to +1370°C
- Tempered optics with 100:1 spot size ratio
- Adjustable emissivity 0.10 to 1.00
- With target laser and backlight of the display
- HOLD/MAX/MIN/DIF/AVG/LOCK-funcion
- Acoustic and optical limit alarm (HI-LOW)
- °C/F-switchable
- Large LCD: display of measured value as well as max/min or limits

Portable high-temperature pyrometer in short-wave infrared range for non-contact temperature measurement of metals in the measuring range of + 200°C to 2400°C with thermocouple input and double laser for marking the measuring spot.



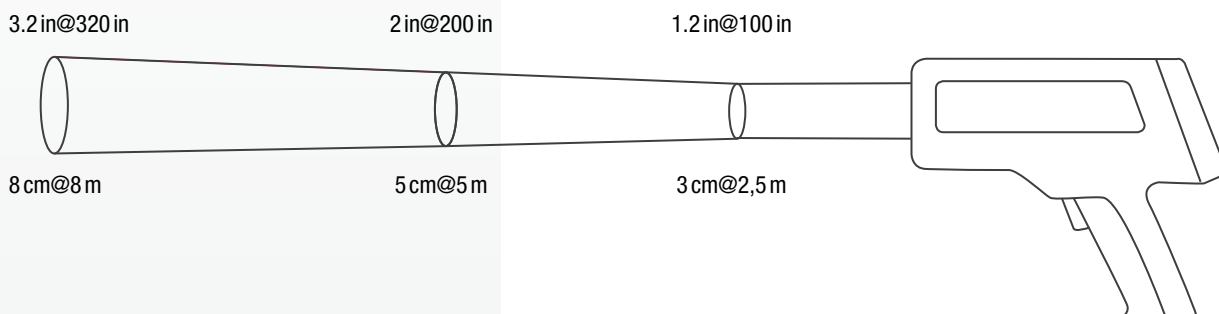
Technical Data

Measuring range:	+200°C to +2400°C (Infrared) -64°C to +1370°C (Thermocouple input)
Spectral range	1,1 - 3,7 µm
Emissivity correction	1,0 to 0,1 adjustable
Dimensions	233mm length x 207mm width x 60mm height
Permissible moisture	95 % not condensing
Permissible ambient temperature	0°C to +50°C
Distance to measuring spot	100:1 with target laser
Accuracy	+/- 2 % of reading (Infrared) +/- 1 % of reading (Thermocouple input)
Repeat accuracy	+/- 2 % of reading (Infrared)
Reaction time	< 1 second
Display resolution	0,1 °C (from 1000°C = 1°C)
Laser	Class 2
Power supply	2 x 1,5V AA
Battery life	Appr. 40 hours in continuous operation
Weight	475 gram
Delivery	Thermometer, batteries, transport case
Conformity	RoHS, CE
Item number	00530

Optical resolution

Distance (D) to Spot size (S)

D:S=100:1



Application areas of the novasens HighTemp 530:

- Iron and steel production
- Forging and metal finishing processes
- High-temperature chemical processes



Technical changes reserved.

novasens Sensortechnik Heuer
Loehnfeld 26
21423 Winsen/Luhe
Germany
Phone +49 (0) 4171 6694595
info@novasens.de
www.novasens.com